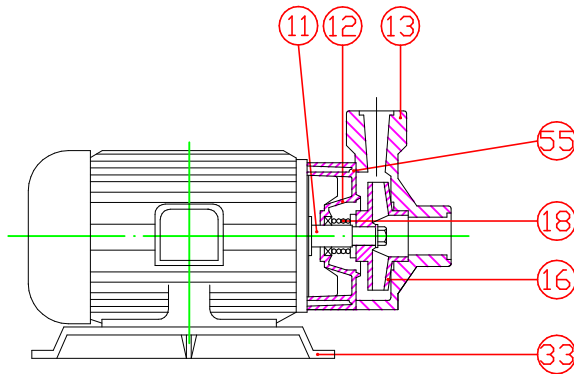


DESCRIPTIONS

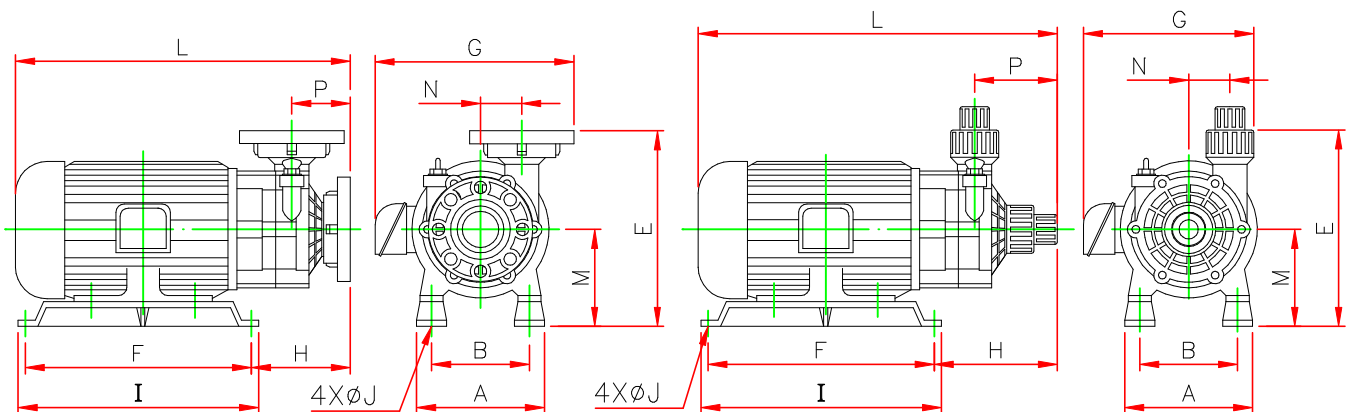
CONSTRUCTION



No.	NAME	MATERIAL
11	SHAFT	SUS410
12	BRACKET	PP
13	CASING	PP
16	IMPELLER	PP
18	MECH. SEAL	Carbon-NBR
33	BASEPLATE	PP
55	O-RING	NBR

DIMENSIONS (mm)

TYPE	HP	Hz	A	B	E	F	G	H	I	J	L	M	N	P	Remark
GPP-60.4-25	1/2	60	152	112	205	250	214	91	284	14	375	100	49	95	Union
GPP-60.75-40	1	60	165	125	224	250	244	132	284	14	415	109	57	124	Union
GPP-61.5-50	2	60	192	140	254	288	297	112	320	14	435	119	68	82	Flange
GPP-62.2-50	3	60	192	140	254	290	290	112	320	14	440	119	68	82	Flange
GPP-60.4-25S	1/2	60	140	100	205	250	213	87	284	14	363	100	49	95	Union
GPP-60.75-40S	1	60	165	125	224	250	271	132	284	14	416	109	57	124	Union
GPP-61.5-50S	2	60	192	140	247	290	297	112	320	14	435	119	68	82	Flange
GPP-50.4-40	1/2	50	152	112	256	250	230	122	284	14	406	112	57	124	Union
GPP-50.75-50	1	50	165	125	254	250	279	105	284	14	392	121	68	82	Flange
GPP-51.5-50	2	50	192	140	254	290	297	112	320	14	435	119	68	82	Flange
GPP-50.4-40S	1/2	50	152	112	247	250	230	122	284	14	406	112	57	124	Union
GPP-50.75-50S	1	50	165	125	256	250	279	105	284	14	392	121	68	82	Flange
GPP-51.5-50S	2	50	192	140	254	290	297	112	320	14	435	119	68	82	Flange



<Flange Type>

<Union Type>

